

Small Vise Grips – 1 kN



The Small Vise Grips have several different designs, depending on the opening size of the grips which corresponds to sample thickness. The S10 style has opening of 10mm, S20 – 20mm, S30, and S50.

Tensile Rating: 1kN (225 lbs.)

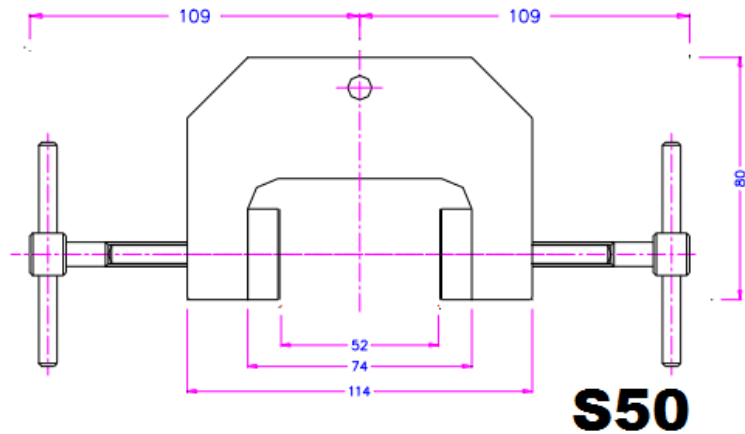
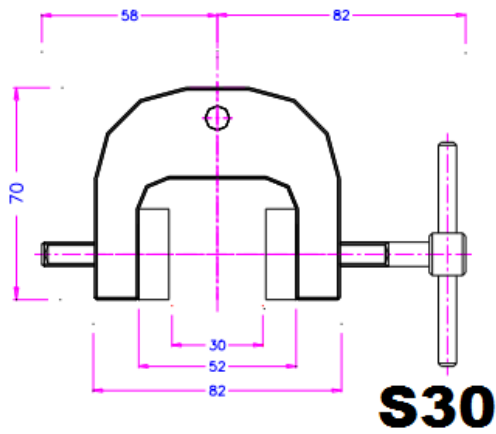
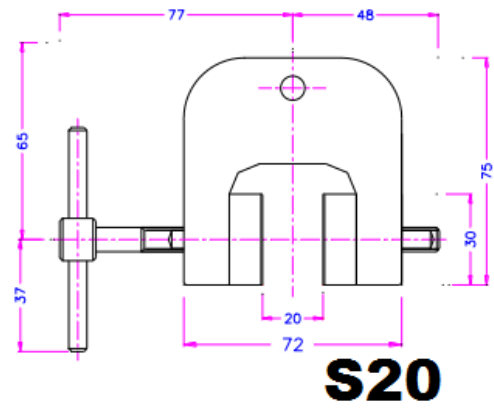
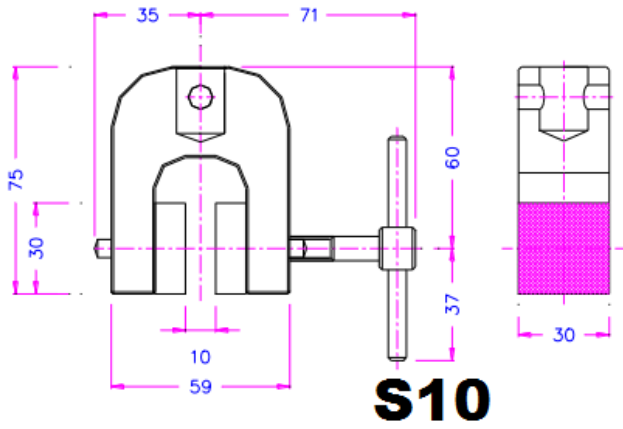
Sample Thickness: (Depends on design – S10, S20, S30, S50.)

Weight per grip: S10 - .29kg, S20 - .33kg, S30 - .32kg, S50 - .57kg.

Temperature Range: 0 to 180 Celsius depending on jaws, others available

Adapter/Coupling: female 5/8" with 5/16" locking pin

Schematic (mm)



Jaw Inserts

Surface	Clamping surface H x W	Weight/ pair
Blank jaws	30 x 30mm	0.13 kg
Rubber jaws	30 x 30mm	0.13 kg
Pyramid jaws	30 x 30mm	0.12 kg
V-jaws	30 x 30mm	0.12 kg
V-jaws	30 x 30mm	0.13 kg
Wave jaws	30 x 30mm	0.12 kg
Diamond jaws	30 x 30mm	0.13 kg
Blank jaws	30 x 50mm	0.22 kg
Rubber jaws	30 x 50mm	0.23 kg
Pyramid jaws	30 x 50mm	0.21 kg
Wave jaws	30 x 50mm	0.20 kg
Diamond jaws	30 x 50mm	0.22 kg
Blank jaws	30 x 80mm	0.36 kg
Rubber jaws	30 x 80mm	0.37 kg
Pyramid jaws	30 x 80mm	0.35 kg
Wave jaws	30 x 80mm	0.32 kg
Diamond jaws	30 x 80mm	0.36 kg
Blank jaws	30 x 100mm	0.45 kg
Rubber jaws	30 x 100mm	0.46 kg
Pyramid jaws	30 x 100mm	0.45 kg
Wave jaws	30 x 100mm	0.51 kg
Diamond jaws	30 x 100mm	0.45 kg

** Opening is reduced by 4 mm

Jaws with other dimensions and surface coatings on request



Specimen for V-jaws

BV3 jaws are preferable for samples with a larger diameter, clamping height 30 mm

Ø 2 - 9 mm	Ø 2- 20 mm	Ø 2- 30 mm	Ø 2 - 50 mm
Ø 3 - 9 mm	Ø 3 - 20 mm	Ø 3 - 30 mm	Ø 3 - 50 mm