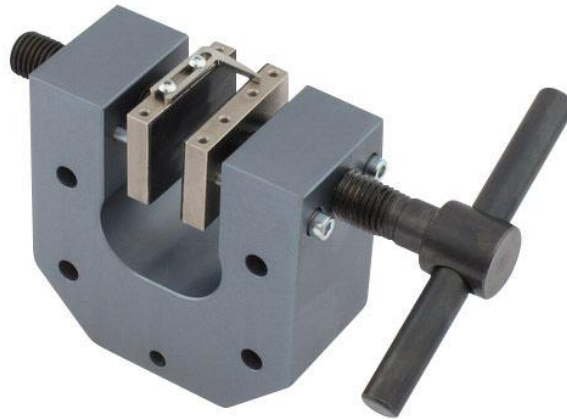




## Vise Grips – 20 kN



The 20kN Vise Grips can accommodate taller jaw inserts up to 60mm.

Tensile Rating: 20kN (4,500 lbs.)

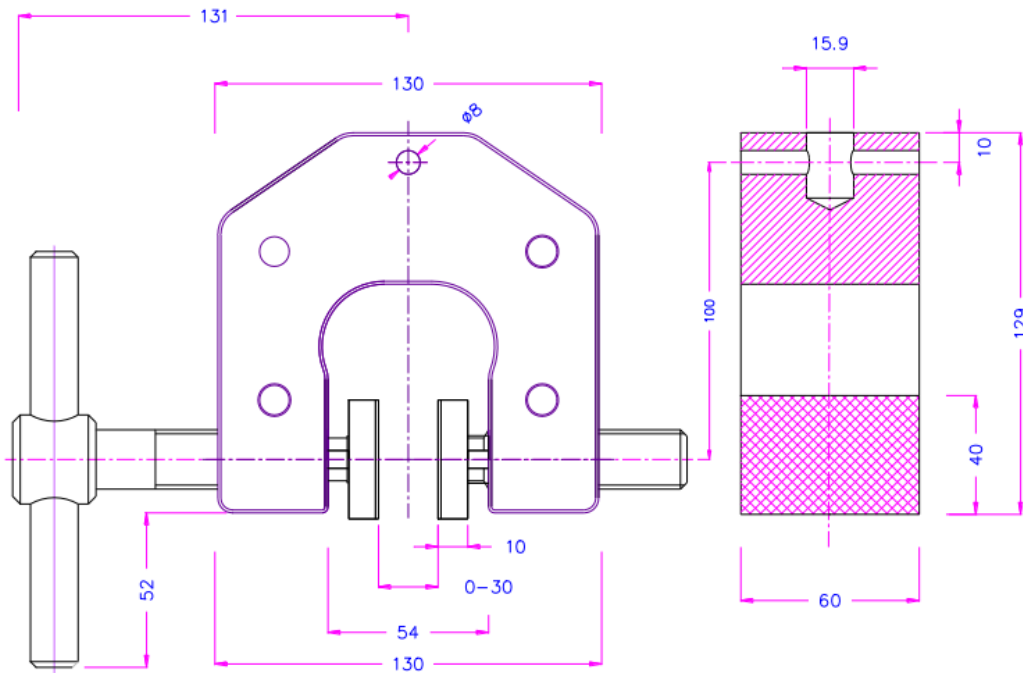
Sample Thickness: (Depends on Jaw Inserts – See Below)

Weight per grip: 5kg without Jaws (Steel)

Temperature Range: 0 to 180 Celsius depending on jaws, others available

Adapter/Coupling: female 5/8" with 5/16" locking pin

## Schematic (mm)



## Jaw Inserts

scope of delivery: 1 set = 4 jaws

| Surface          | Clamping surface H x W | Opening               | Weight per pair |
|------------------|------------------------|-----------------------|-----------------|
| Blank jaws       | 40 x 60 mm             | 0 - 34 mm             | 0.35 kg         |
| Rubber jaws      | 40 x 60 mm             | 0 - 32 mm             | 0.36 kg         |
| Pyramid jaws     | 40 x 60 mm             | 0 - 34 mm             | 0.33 kg         |
| V-jaws           | Clamping height 40 mm  | 4 - 12 mm $\emptyset$ | 0.35 kg         |
| V-jaws           | Clamping height 40 mm  | 6 - 34 mm $\emptyset$ | 0.32 kg         |
| Wave jaws        | 40 x 60 mm             | 0 - 34 mm             | 0.32 kg         |
| Diamond jaws     | 40 x 60 mm             | 0 - 34 mm             | 0.35 kg         |
| Jaws for bitumen | 40 x 60 mm             | 0 - 14 mm             | 0.63 kg         |
| Blank jaws       | 40 x 100 mm            | 0 - 30 mm             | 0.72 kg         |
| Rubber jaws      | 40 x 100 mm            | 0 - 28 mm             | 0.74 kg         |
| Pyramid jaws     | 40 x 100 mm            | 0 - 30 mm             | 0.69 kg         |
| Wave jaws        | 40 x 100 mm            | 0 - 30 mm             | 0.66 kg         |
| Diamond jaws     | 40 x 100 mm            | 0 - 30 mm             | 0.72 kg         |
| Wave jaws        | 60 x 200 mm            | 0 - 22 mm             | 3.00 kg         |



### Blank jaws

- Suitable for own further treatments
- Steel blanks without coating



### Rubber jaws

- 1 mm rubber coating (NBR)
- Nickel-plated



### Pyramid jaws

- Pyramids 1.2x45°
- Hardened steel 58HRC
- Nickel-plated



### V-jaws

- For all kinds of round samples
- Tooth pitch 1.2 mm
- Hardened steel 58HRC, nickel-plated



### Wave jaws

- For flexible materials
- Wave 5 mm
- Hardened steel 58HRC, nickel-plated



### Diamond jaws

- Covered with synthetic diamonds
- Nickel-plated