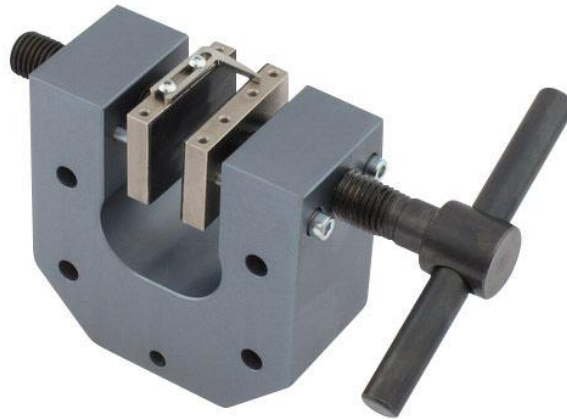


Vise Grips – 10 kN



The 10kN Vise Grips can accommodate taller jaw inserts up to 60mm.

Tensile Rating: 10kN (2,250 lbs.)

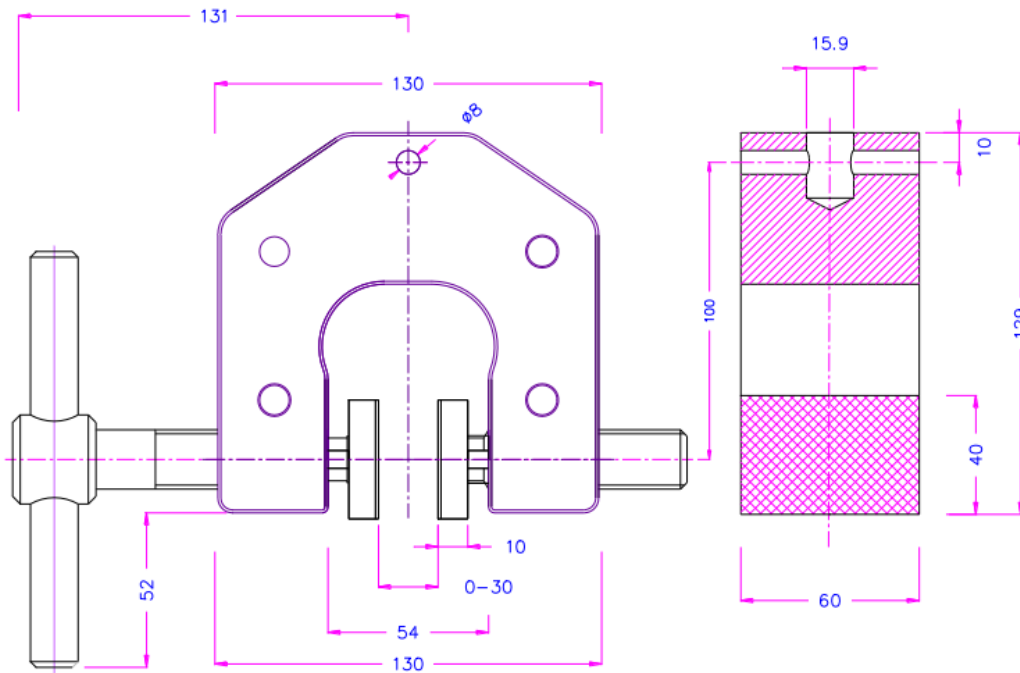
Sample Thickness: (Depends on Jaw Inserts – See Below)

Weight per grip: 2.36kg without Jaws

Temperature Range: 0 to 180 Celsius depending on jaws, others available

Adapter/Coupling: female 5/8" with 5/16" locking pin

Schematic (mm)



Jaw Inserts

scope of delivery: 1 set = 4 jaws

Surface	Clamping surface H x W	Opening	Weight per pair
Blank jaws	40 x 60 mm	0 - 34 mm	0.35 kg
Rubber jaws	40 x 60 mm	0 - 32 mm	0.36 kg
Pyramid jaws	40 x 60 mm	0 - 34 mm	0.33 kg
V-jaws	Clamping height 40 mm	4 - 12 mm \emptyset	0.35 kg
V-jaws	Clamping height 40 mm	6 - 34 mm \emptyset	0.32 kg
Wave jaws	40 x 60 mm	0 - 34 mm	0.32 kg
Diamond jaws	40 x 60 mm	0 - 34 mm	0.35 kg
Jaws for bitumen	40 x 60 mm	0 - 14 mm	0.63 kg
Blank jaws	40 x 100 mm	0 - 30 mm	0.72 kg
Rubber jaws	40 x 100 mm	0 - 28 mm	0.74 kg
Pyramid jaws	40 x 100 mm	0 - 30 mm	0.69 kg
Wave jaws	40 x 100 mm	0 - 30 mm	0.66 kg
Diamond jaws	40 x 100 mm	0 - 30 mm	0.72 kg
Wave jaws	60 x 200 mm	0 - 22 mm	3.00 kg



Blank jaws

- Suitable for own further treatments
- Steel blanks without coating



Rubber jaws

- 1 mm rubber coating (NBR)
- Nickel-plated



Pyramid jaws

- Pyramids 1.2x45°
- Hardened steel 58HRC
- Nickel-plated



V-jaws

- For all kinds of round samples
- Tooth pitch 1.2 mm
- Hardened steel 58HRC, nickel-plated



Wave jaws

- For flexible materials
- Wave 5 mm
- Hardened steel 58HRC, nickel-plated



Diamond jaws

- Covered with synthetic diamonds
- Nickel-plated