



ASTM D3182 Sample Mold



Compression Rating: 100kN (22,500 lbs.)

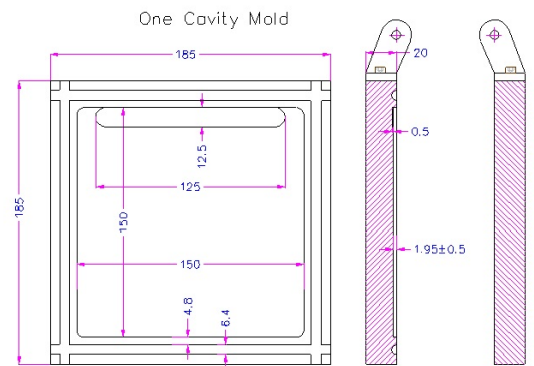
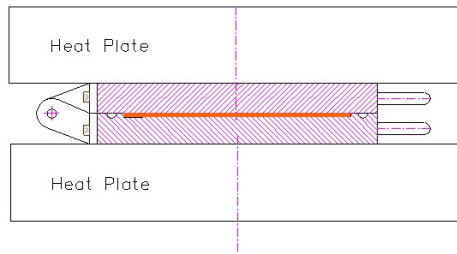
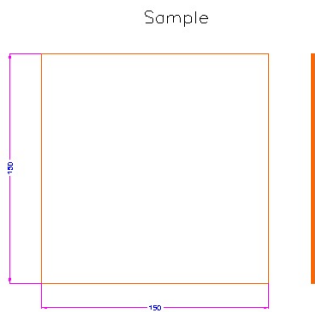
Sample Thickness: 2mm

Weight per fixture: ~10kg

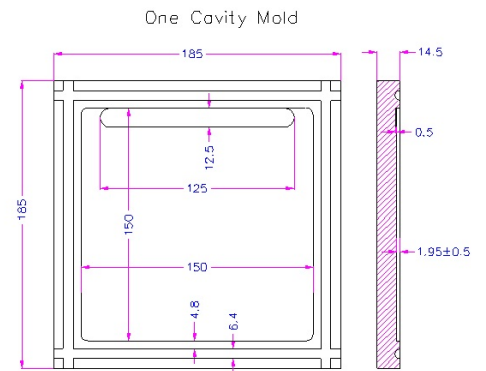
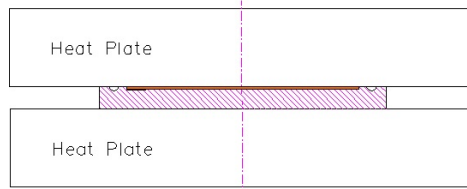
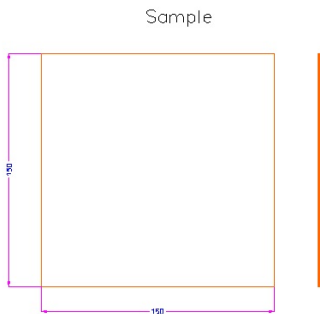
Notes: Designed exactly according to ASTM D3182. The mold is set between two heated compression plates and then compressed until the rubber compound has vulcanized into a sheet.

Schematic (mm):

Closing Door design with Hinge



Flat Open Top Tray design



ASTM D3182