



HYDRAULIC GRIP

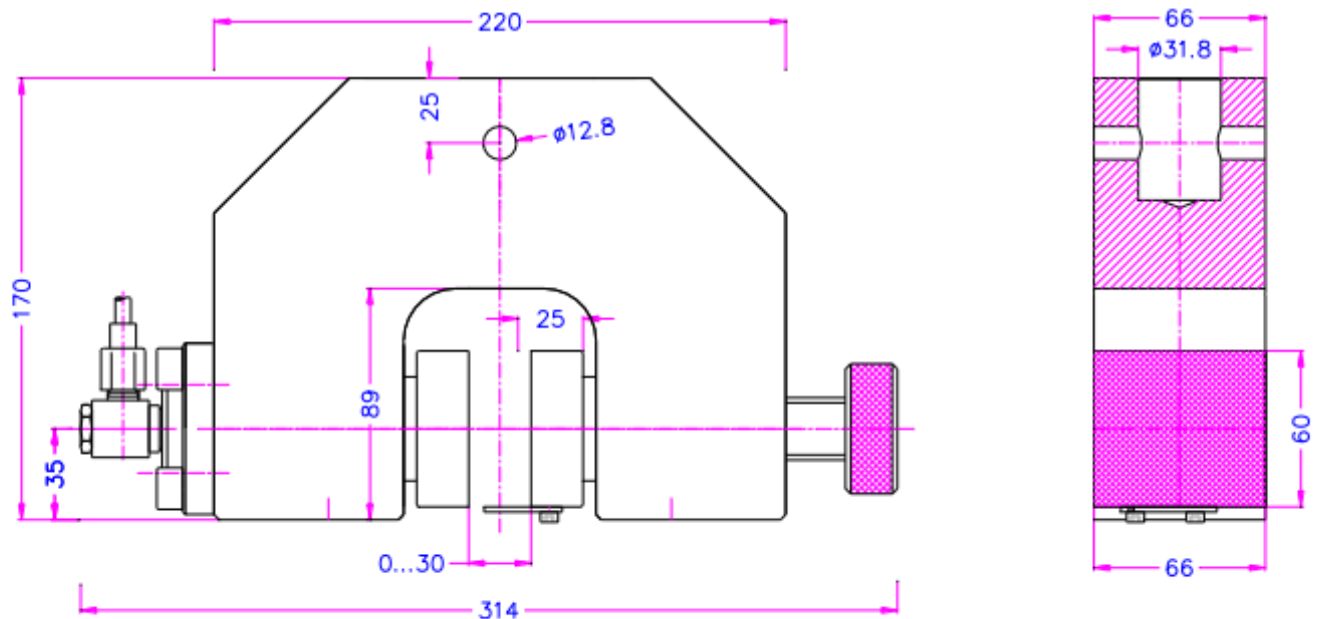
Standard temperature range: 0...+70°C

Hydraulic sealings can be used from -30°C to +100°C

In special cases we can supply -10°C to +200°C

For negative values we recommend using nickel surface:

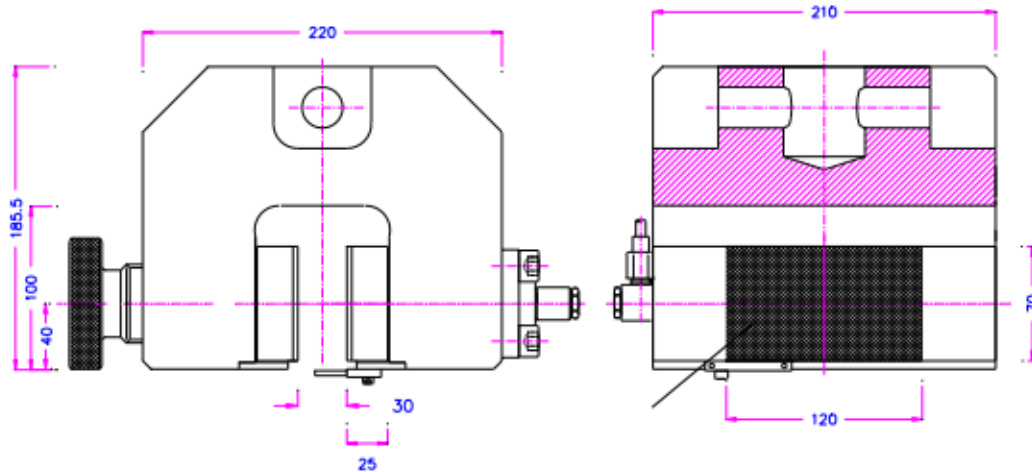
Clamping force:	60 kN at 315 bar 85 kN at 450 bar
Coupling:	Af318. Further couplings on request.
Single acting cylinder:	50 mm Ø, with spring return Max. stroke 15 mm
Hydraulic connection:	¼"
Body:	Steel, nickel-plated
Jaws:	Steel, nickel-plated, hardened
Weight:	Ca. 15 kg each grip without jaws
Scope of supply:	1 pair of grips without jaws



UNIVERSAL GRIP CO.

HYDRAULIC GRIP

Clamping force:	180 kN at 315 bar
3 rods 50 mm Ø with spring return	
Max rod movement:	15 mm
Coupling:	Af318, Af40, Af60 Further couplings on request
Hydraulic connection:	¼"
Material:	Steel, nickel-plated
Temperature range:	0 °C ... +70°C Further temperature ranges on request
Weight:	~55 kg per grip without jaws
Scope of delivery:	1 pair of grips



Blank jaws
 - Blank, no coating
 - Suitable for own further treatment
 - Nickel-plated



Pyramid (serrated) jaws
 - Pyramids 1.2x45°
 - Steel hardened 58 HRC
 - Nickel-plated



V-jaws
 - For round samples
 - Tooth pitch 1.2 mm
 - Steel hardened 58 HRC
 - Nickel-plated



Wave jaws
 - Wave distance 5 mm
 - Steel hardened 58 HRC
 - Nickel-plated

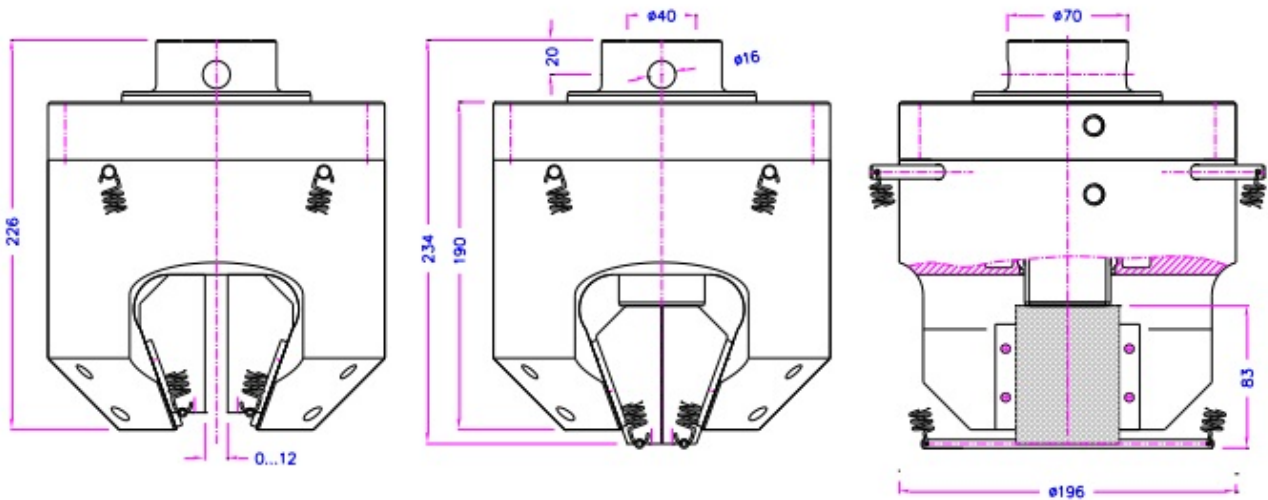
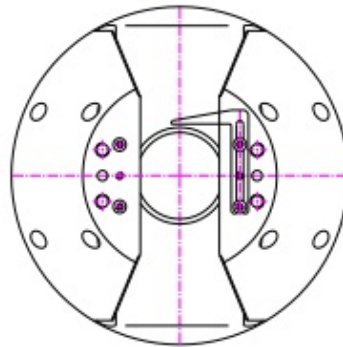
Surface	Clamping surface H x W	Opening	Weight per pair
Blank jaws	70 x 210 mm	0 - 30 mm	6.6 kg
Pyramid (serrated) jaws	70 x 120 mm	0 - 30 mm	6.6 kg
Pyramid (serrated) jaws	70 x 210 mm	0 - 30 mm	5.4 kg
V-jaws	Clamping height 70 mm	8 - 30 mm Ø	6.6 kg
Wave jaws	70 x 210 mm	0 - 30 mm	6.6 kg
Rubber-coated wave jaws	70 x 210 mm	0 - 26 mm	6.7 kg

UNIVERSAL GRIP CO.

HYDRAULIC NON-SHIFT WEDGE GRIP

The jaws stay in place vertically when clamping the sample.
The grip body is moving up and down when closing and opening the jaws.
Perfect for sensitive materials to avoid extra pressure on the specimen.
Available as 100 kN and 250 kN versions.

Max. tensile force:	100 kN
Max. clamping force:	200 kN at 315 bar
Jaw opening:	Depends on jaw type, see page 2
Coupling:	Af40. Further couplings on request
Material:	Steel, nickel-plated
Temperature range:	0 ... +70°C Further temperature ranges on request
Weight:	62.3 kg per pair of grips without jaws
Scope of delivery:	1 pair of grips incl. wooden box



UNIVERSAL GRIP CO.

Max. tensile force:	250 kN
Max. clamping force:	500 kN at 320 bar
Jaw opening:	Depends on jaw type, see page 4
Coupling:	Af60. Further couplings on request
Material:	Steel, nickel-plated
Temperature range:	0 ... +70°C Further temperature ranges on request
Weight:	124 kg per pair of grips without jaws
Scope of delivery:	1 pair of grips incl. wooden box

