

# Universal Video Extensometer

MEVIX

MercuryRT VIDEOEXTENSOMETER  
*Optical solution in one package*



# MEVIX – Hardware

## CAMERA MODULE

- FOV – 200mm
- res – 1 $\mu$ m
- 60fps on USB3 at full res

## LIGHTBOX

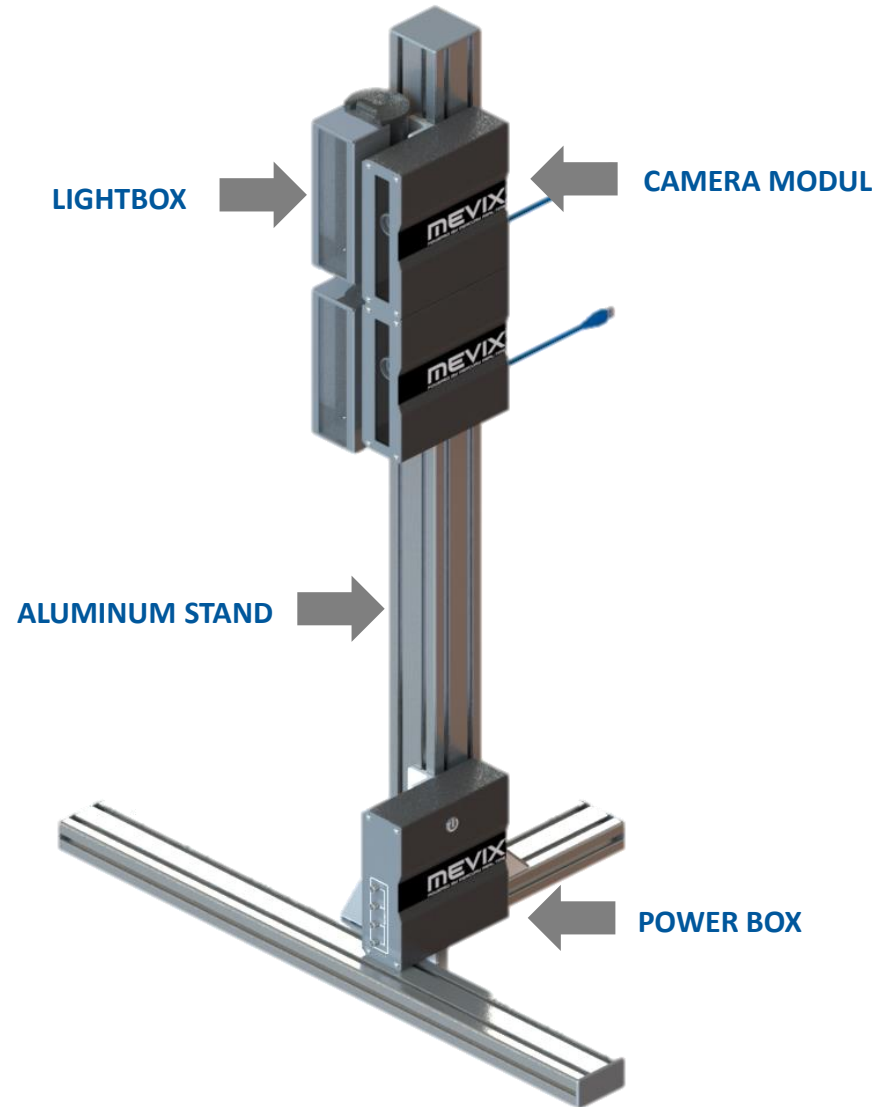
- 54W LED light
- sand-blasted polymer diffuser
- blinder

## POWERBOX

- 250W 12/24V supply
- 4 light output
- 4 channel USB relay
- Intel NUC possibility

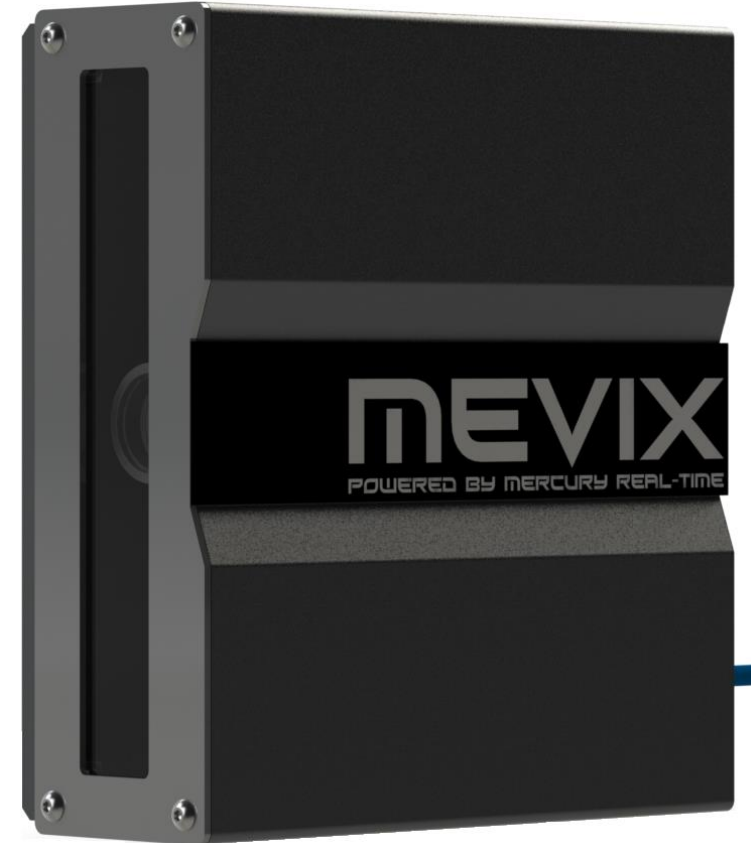
## ALUMINUM STAND

- screw / wheels



## MEVIX – Camera Module

- **FOV – 200x155mm**
- CLASS-1
- CLASS B-1 for  $L_0 > 15\text{mm}$
- WORKING DISTANCE: 260, 400, 560 or 800mm
  
- **FOV – 100x80mm**
- CLASS-0.5
- CLASS B-1 for  $L_0 > 8\text{mm}$
- WORKING DISTANCE: 200, 280, 400 or 600mm
  
- **50fps or higher with reduced width**
- **External Trigger**
- **200x185x67mm**



## MEVIX – Power box

- Light power source
- 4 Light power outputs
- USB relay for intelligent lighting
- 200x185x67mm



## MEVIX – Light box

- LED light source
- High brightness LED power source
- Anti glare blinder
- Diffusor
- 230x120x75mm



## MEVIX – SW features

- LiteView graphical user interface for operators
- Stitching mode (extension of field of view by using multiple cameras)
- Markers detection
- Width detection and measurements
- Unlimited virtual measurement tools
- Neck gauge
- Force gauge
- Chain probe
- Automatic coordinate system definition based on grids
- Correction of camera lens distortion
- Extensometer Calibration
- QR code sample indexing

- Coordinate system offset
- Rigid body motion functionalities
- Recorded data browsing (various cameras in parallel)
- External synchronization and snap mode
- ROI/AOI (High FPS at smaller width)
- Focus and Targeting tool
- Output to analogue, RS232 and TCP/IP
- API functions for remote control through RS232 and TCP/IP
- Frozen extension line endpoint function
- Image viewing functions (invert, zoom, over/under exposed indication, flip, rotate)
- Engineering stress – Engineering strain evaluation
- True stress - true strain evaluation



#### Headquarters

**Sobriety s.r.o.**  
Blanenská 1288/27  
664 34 Kuřim  
Czech Republic  
Sales:  
+420 541 231 698  
[sales@sobriety.cz](mailto:sales@sobriety.cz)

#### USA Distributor

**Universal Grip LLC**  
72 Loring Ave. St. #2  
Salem, MA 01970  
1-978-882-1480  
[www.universalgripco.com](http://www.universalgripco.com)

The following are trademarks or registered trademarks of Sobriety s.r.o. or its subsidiaries in the Czech Republic and/or other countries: The Sobriety s.r.o. corporate logo, AEROFLOW, BFLY, DYNROT, MERCURY RT, MEVIX, POTERON. All of these trademarks and service marks ("trademarks") displayed on this web site are the property of Sobriety s.r.o. and you are not permitted to use these trademarks without the prior Sobriety s.r.o. written consent.