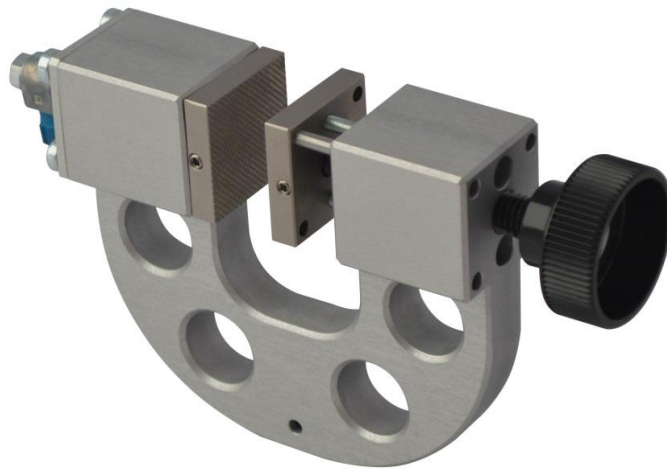




Small Pneumatic Vise Grip



Clamping Force: Max 200N at 7 bar

Opening: 0-20mm depending on jaws (see below)

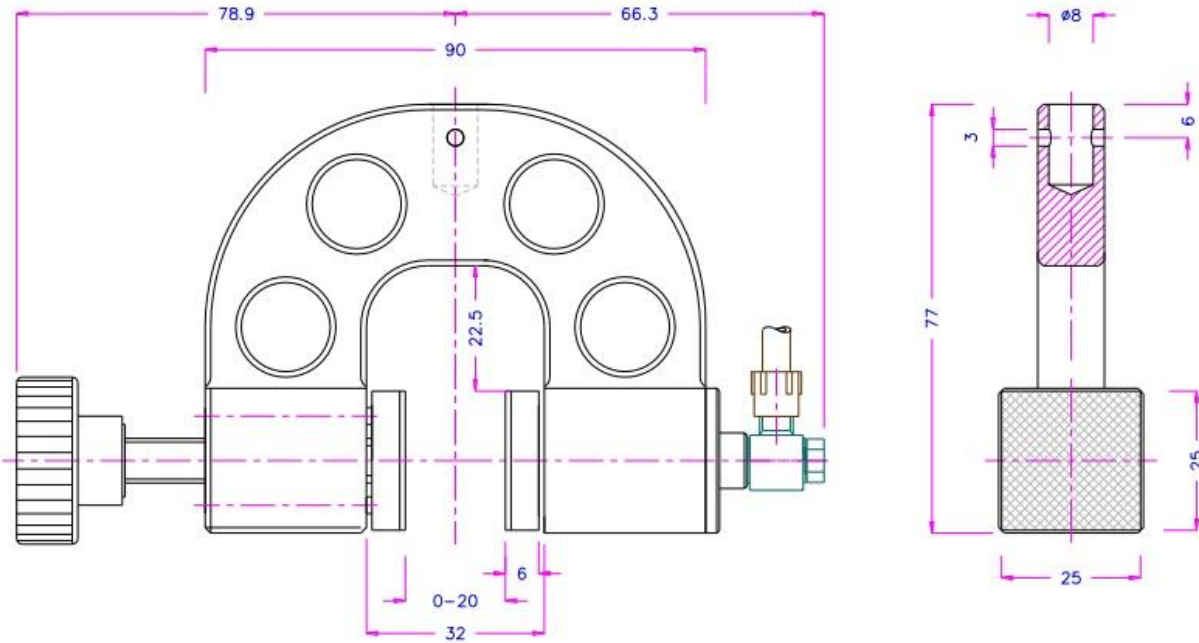
Pneumatic Coupling: M5

Weight: 240 grams (without Jaws)

Adapter Couping: 8mm female with 3mm locking pin

Please see the Pneumatic Grip Accessories Cut Sheet for more information on switches, pumps, and hoses.

Schematic (mm)

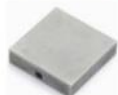


Scope of delivery 1 set = 4 jaws

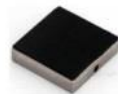
Surface	Clamping surface H x W	Opening	Weight per pair
Blank jaws	25 x 25 mm	0 - 20 mm	53 gram
Rubber jaws	25 x 25 mm	0 - 18 mm	56 gram
Pyramid jaws	25 x 25 mm	0 - 20 mm	49 gram
Diamond jaws	25 x 25 mm	0 - 20 mm	54 gram
Blank jaws	25 x 50 mm	0 - 20 mm	111 gram
Rubber jaws	25 x 50 mm	0 - 18 mm	114 gram
Pyramid jaws	25 x 50 mm	0 - 20 mm	104 gram
Wave jaws	25 x 50 mm	0 - 16 mm	128 gram
Diamond jaws	25 x 50 mm	0 - 20 mm	112 gram
Blank jaws	25.4 x 76.2 mm	0 - 20 mm	234 gram
Blank nickel-plated jaws	25.4 x 76.2 mm	0 - 20 mm	234 gram
Rubber jaws	25.4 x 76.2 mm	0 - 18 mm	240 gram
Pyramid jaws	25.4 x 76.2 mm	0 - 20 mm	216 gram

Jaws with other dimensions and surface coatings on request

Blank jaws
- Steel blanks
- Applicable for own further treatments



Rubber jaws
- 1 mm rubber coating
- Nickel-plated



Pyramid jaws
- Pyramids 1x45°
- Hardened steel 58 HRC
- Nickel-plated



Wave jaws
- Wave 5 mm
- Hardened steel 58 HRC



Diamond jaws
- Coated with synthetic diamonds
- Nickel-plated

