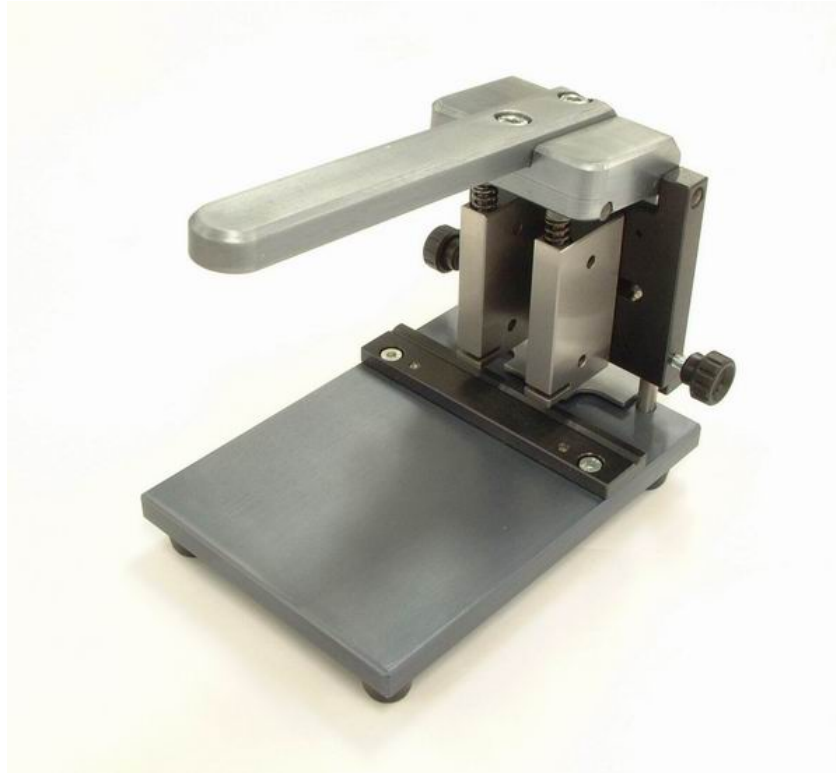


## Marking Tool For Laser Extensometers



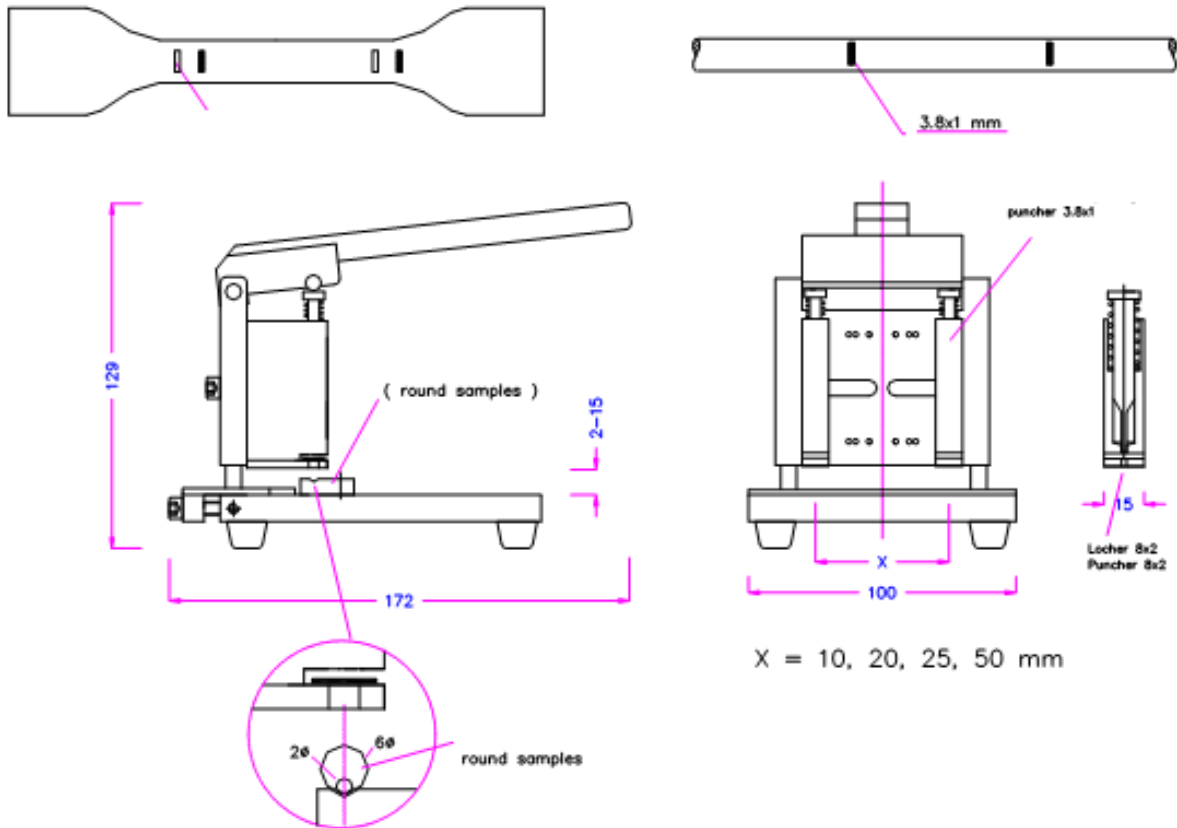
**Distances:** option of 10, 20, 25, 50mm. Or ½", 1", 2".

**Marking Designs:** 2 or 4mm diameter circle. Or 1x3.8mm line or 2x8mm line.

**Specimen Height:** 2-15mm

**Notes:** The marking tool is used to deposit retro-reflective tape onto a sample at fixed distances for use with a laser extensometer. Different punches are available based on which marking design is desired. A tape reel holder is also available as an add on for higher volume environments.

## Schematic (mm)



## Tape Reel Holder

