

ASTM D429 Peel Fixture



Material – Hardened A6 tool steel

Max Tensile Rating: 5kN or about 1,000 lbs.

Test Area: 25.4mm x 50.8mm

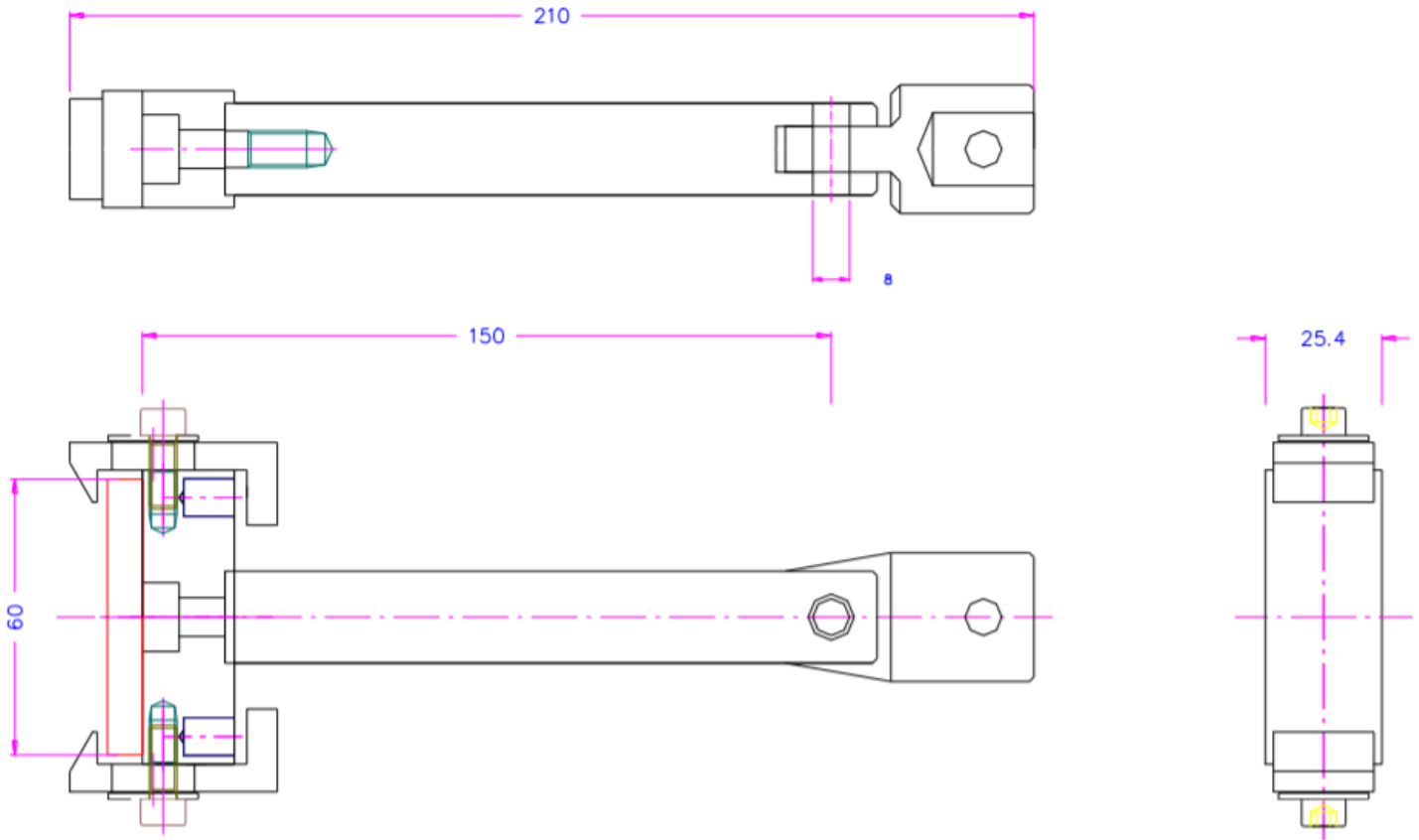
Temperature Range: 0-70C – custom available

Weight: 2 lbs.

Coupling: Female 5/8" clevis coupling with 5/16" pin hole

This fixture is used to mount a customer supplied substrate plate with the sample adhered to it. The sample is usually adhered in a 1x1" section. The sample is then pulled from the bottom using an additional tensile grip (sold seperately.)

Schematic (mm)





Peel Test Fixture with 2 articulating joints according to
ISO813, DIN53531, GOST411



Schematic (mm):

