



ASTM D4964 Band Grips (Testing Elastomers)



Material – Steel with Nickel Plating

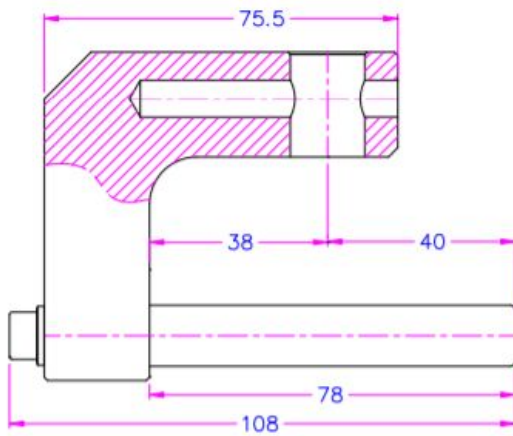
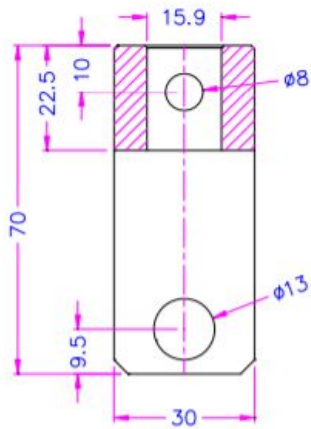
Temperature Range: -70 to +350 Celsius

Weight: ~1.5 lbs

Scope of Delivery: Fixture, specimen, alignment jig, UTM quoted separately

UNIVERSAL GRIP CO.





Schematic (mm)