

3 pt. Articulating Bend Fixture – 2.5kN



Sample Length: 4-150mm (adjustable)

Sample Width: 0-30mm

Radii: 1, 2, 3, 4, 5, 6, 6.35, 8, 10, 12, and 12.7mm (Standard is R5)

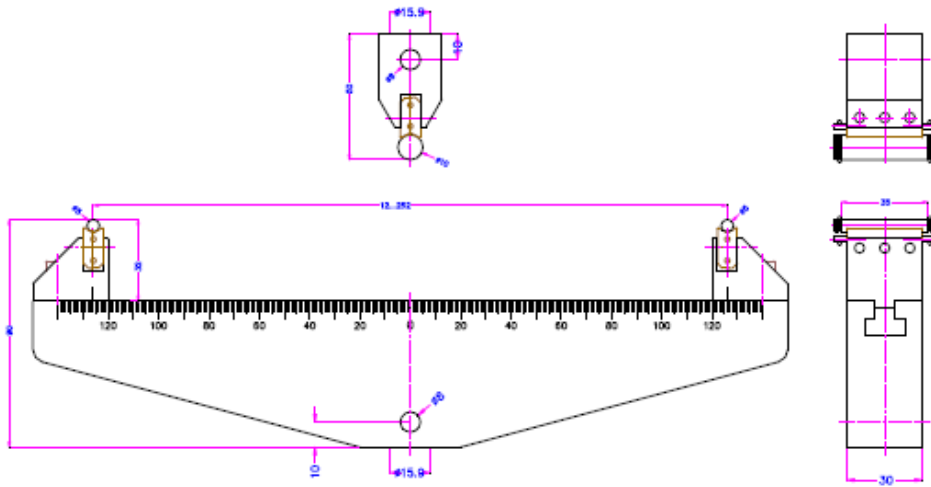
Weight: Top = .16kg Bottom = .8kg

Articulating Top loading nose - (Pick 1 radii) (most common R5)

Articulating Bottom Spans - (Pick 2 radii) (most common R2 + R5)

5/8" female coupling with 5/16" locking pin

Schematic (mm)



60672-2 © IEC:1999

- 73 -

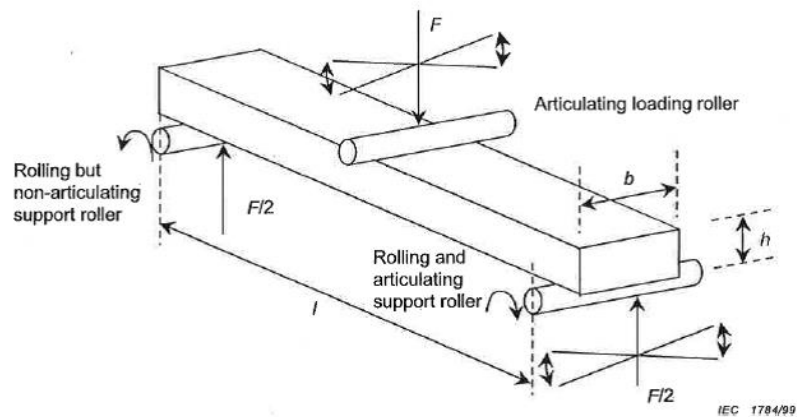


Figure 2a – Method A – Three-point bend

IEC 1784/99