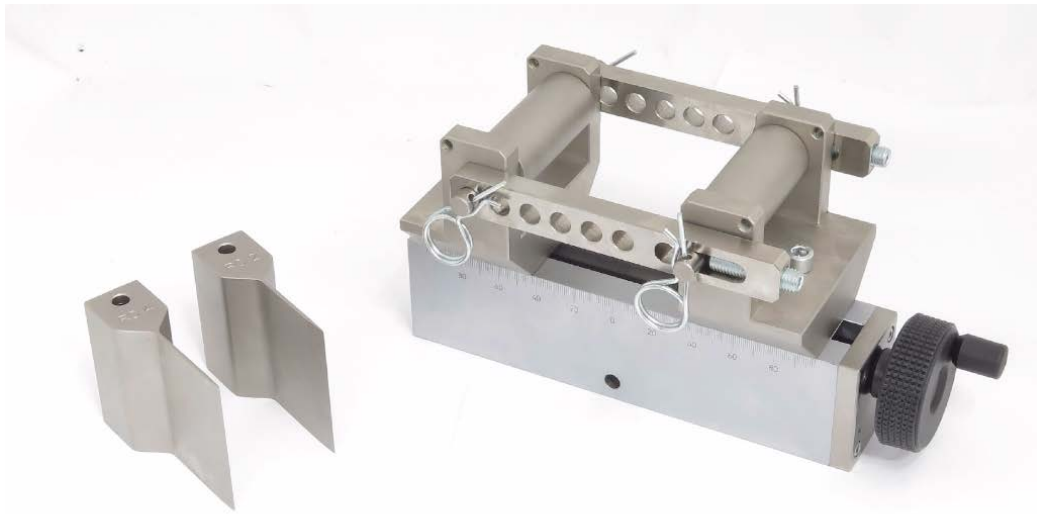


## 30kN Bend Fixture for VDA 238-100



**Compression Rating:** 30kN or about 7,500 lbs.

**Designed for Samples:** 60x60mm square

**Turning Rollers:** 30mm Diameter, 70mm width

**Bending Fins:** Includes 2. Radius = .2mm and =.4mm. 70mm width

**Adapter Couping:** 5/8" female with 5/16" locking pin

**Optional Centric Gear:** Addon, pictured, to adjust supports at equal amounts.

## Schematic (mm)

