



## ASTM D412 Sample Mold Tray



Sample Thickness: 2.5mm (0.1in.) or customer specified

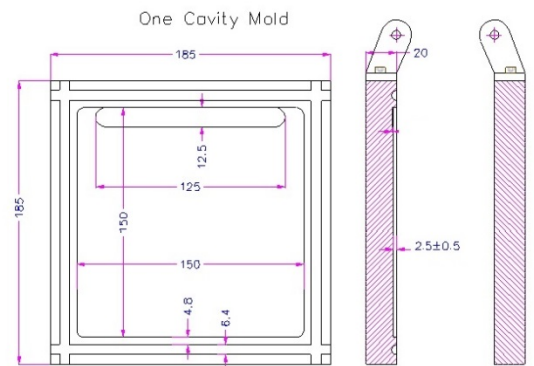
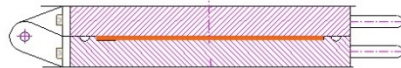
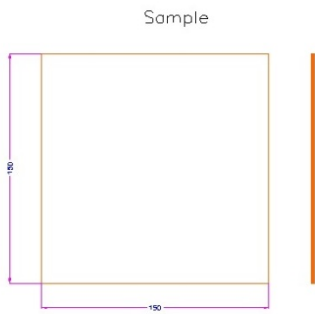
Weight per fixture: ~10kg (5kg for tray only)

Material: Chrome Plated A6 tool steel

Notes: Designed exactly according to ASTM D3182 and applicable for use with ASTM D412 and ASTM D624 specimen creation. The mold is available as a flat tray or also with the closing door.

Schematic (mm):

## Closing Door design with Hinge



## Flat Open Top Tray design

