

# Plast

## Long stroke extensometer

### Field of application:

The long stroke extensometer PLAST is indicated in test of rubber, high elongation plastic and similar material. It is not indicate in case of determination of elastic modulus

This extensometer is not suitable for compression tests.

Cyclical tests are admitted as long as the required deformation does not fall under the initial zero.

The device is placed on the back of the testing machine and the support can be chosen in one or two hinges (the last one allow to turn out the extensometer without remove the sample). In case of single-column machine, the extensometer can be mounted on left or right side of the frame.

### Specific function:

- Easy exclusion and reactivation
- Measurement Base with continuous regulation
- 10 micron resolution
- Automatic closure/opening of the arms
- Self-adaptability to the specimen thickness
- Unlimited deformation speed

### Construction and principle of functioning

The PLAST extensometer uses a differential measurement system: Every arm is connected to a high resolution encoder with a inextensible wire. The arms are free to move for the effect of the specimen dragging; counterbalances assure the minimum strength.

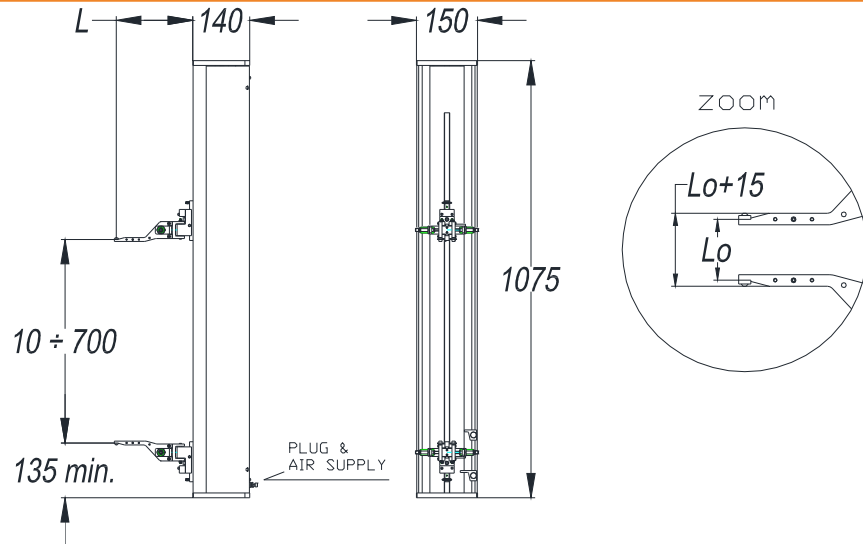
The measurement base is easily configurable using a computer assisted procedure that drive the user in the device setup.

Two versions of the device are available:

- Short arms for machines up to 100 KN (bench machine)
- Long arms for machines up to 2000 KN (floor machine)

Note: Is possible to replace the steel knives with rubber knives (depending on the material to be tested).





### TECHNICAL SPECIFICATIONS:

ITEM	TQ09.02.01 (1)	
	Bench machine up to 100 KN	Floor machine over 100 KN
Measurement base	10 mm ÷ unlimited	
Distance L	187 mm	307mm
Drag force	1 N approx. every arm	
Accuracy	CLASS 1 (only for deformation > 2 mm)	
	CLASS B	
Resolution	10 µm	
stroke	700 mm (2) (longer stroke available on request)	
Max dimension of sample (ø)	50 mm (15 mm with rubber knives)	80 mm (45 mm with rubber knives)
Air Supply	5 bar < 5 Litres/min. (electric supply not required)	
Finishing	Aluminium / Black RAL 9011	
Ambient temperature	From +5 to +40 °C	
Air humidity (without condensing)	Max 80%	
Returning position	Automatic (gravity)	
Opening/closing arm	Automatic (pneumatic) and programmable during test	
Base adjustment	Manual (software assisted)	

(1) Item number is the same for both model (long or short arm)  
 (2) Effective stroke depend from initial position and original gauge length

### MAIN OPTIONAL:

ITEM	ITEM
Set of 4 rubber knives	TQ09.02.01.01
Two hinges support (support with one hinge supplied as standard)	TQ09.02.03.05

**Cesare Galdabini Spa, Via Giovanni XXIII, 183, 21010 Cardano al Campo (VA), Italy**

**Ph. ++39.0331.732.700**  
**Fax. ++39.0331.730.650**  
**Mail: info@galdabini.it**  
**Web: www.galdabini.it**

Specification are subject to change without prior notice

