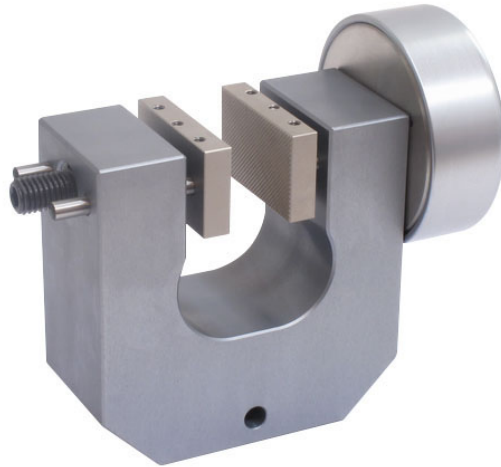




2.6kN Pneumatic Vise Grip



Clamping Force: Max 2.6kN or ~500 lbs. at 7 bar (~100 psi)

Opening: 0-24mm for most jaws (its based on jaw options)

Jaw Options: see below

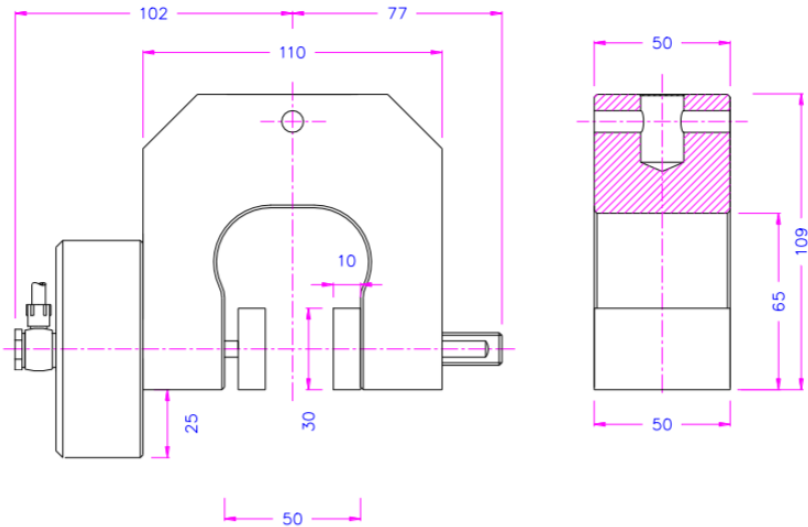
Pneumatic Coupling: M5

Weight: 1.93kg each (without jaws)

Adapter Couping: 5/8" female with 5/16" locking pin

Please See the Pneumatic Grips Accessories Cut Sheet for more information on switches, pumpes, and hoses.

Schematic (mm)



Scope of delivery 1 set = 4 jaws

Surface	Clamping surface H x W	Opening	Weight per pair
Blank jaws	30x50 mm	0 - 24 mm	0.22 kg
Rubber jaws	30x50 mm	0 - 22 mm	0.22 kg
Pyramid jaws	30x50 mm	0 - 24 mm	0.21 kg
V-jaws	30x50 mm	Ø 2 - 24 mm	0.22 kg
V-jaws	30x50 mm	Ø 5 - 24 mm	0.25 kg
Wave jaws	30x50 mm	0 - 24 mm	0.20 kg
Diamond jaws	30x50 mm	0 - 24 mm	0.22 kg
Blank jaws	30x80 mm	0 - 21 mm	0.43 kg
Rubber jaws	30x80 mm	0 - 19 mm	0.44 kg
Pyramid jaws	30x80 mm	0 - 21 mm	0.42 kg
Wave jaws	30x80 mm	0 - 21 mm	0.39 kg
Diamond jaws	30x80 mm	0 - 21 mm	0.43 kg
Blank jaws	30x100 mm	0 - 21 mm	0.54 kg
Rubber jaws	30x100 mm	0 - 19 mm	0.55 kg
Pyramid jaws	30x100 mm	0 - 21 mm	0.53 kg
Wave jaws	30x100 mm	0 - 21 mm	0.51 kg
Diamond jaws	30x100 mm	0 - 21 mm	0.54 kg

