

Tiny Vise Grips – 100 N



Surface	Clamping surface H x W	Opening	Weight / per pair
Blank jaws	10 x 25mm	0 - 8mm	18 gram
Rubber jaws	10 x 25mm	0 - 6mm	19 gram
Pyramid jaws	10 x 25mm	0 - 8mm	17 gram
Diamond jaws	10 x 25mm	0 - 8mm	18 gram
Blank jaws	10 x 50mm	0 - 6mm	46 gram
Rubber jaws	10 x 50mm	0 - 4mm	48 gram
Pyramid jaws	10 x 50mm	0 - 6mm	43 gram
Diamond jaws	10 x 50mm	0 - 6mm	46 gram
Blank jaws	10 x 100mm	0 - 6mm	92 gram
Rubber jaws	10 x 100mm	0 - 4mm	95 gram
Pyramid jaws	10 x 100mm	0 - 6mm	86 gram
Diamond jaws	10 x 100mm	0 - 6mm	92 gram

Tensile Rating: 100 Newtons (22.5 lbs.)

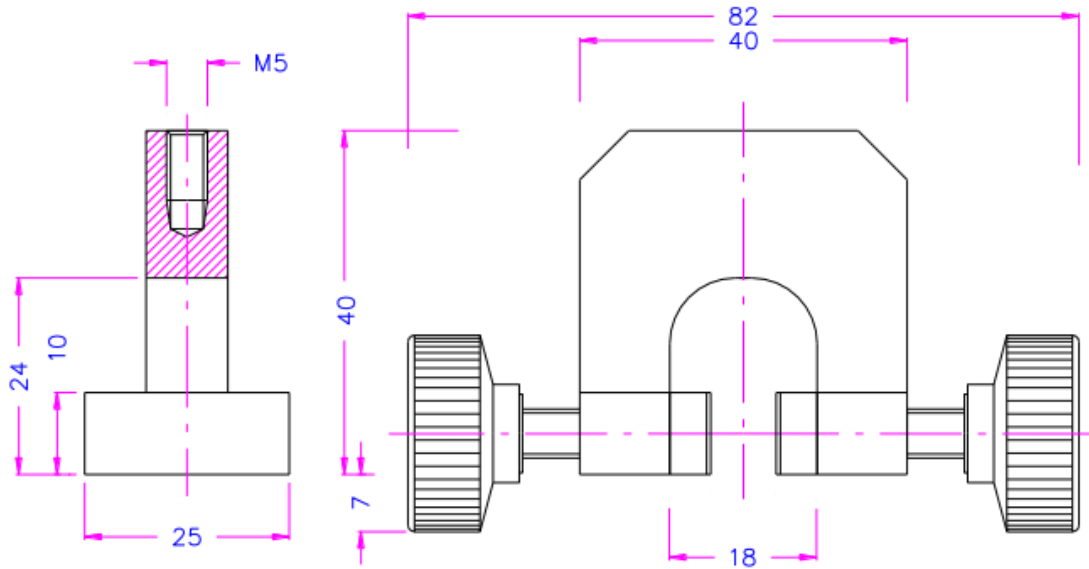
Sample Thickness: 0-8mm (Depends on jaw insert – see above)

Weight: 60 grams per grip, without jaw inserts

Temperature Range: 0 to 130 Celsius

Adapter/Coupling: M5 internal screw thread – other adapters available

Schematic (mm)



Blank jaws

- Suitable for own further treatment
- Steel-blanks without coating



Rubber jaws

- 1mm rubber coating (NBR)
- Nickel plated



Pyramid jaws

- Pyramids 0.8x45°
- Hardened steel 58HRC
- Nickel plated



Diamond jaws

- Clamping surface coated with synthetic diamonds
- Nickel plated





www.universalgripco.com

72 Loring Ave. St. 2 Salem, MA 01923

978-882-1480