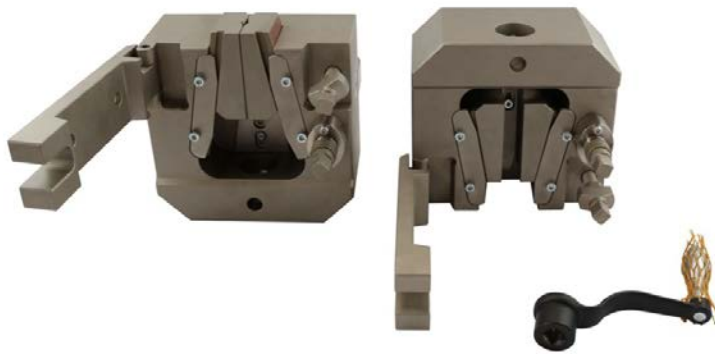




## 50kN Mechanical Wedge Grips CD (Closed Door) Design



Max Tensile Force: 50kN

Construction Material: Nickel Plated A6 tool steel

Weight: 20kg (without jaws)

Adapter Coupling: 1.25" female with 1/2" locking pin or custom

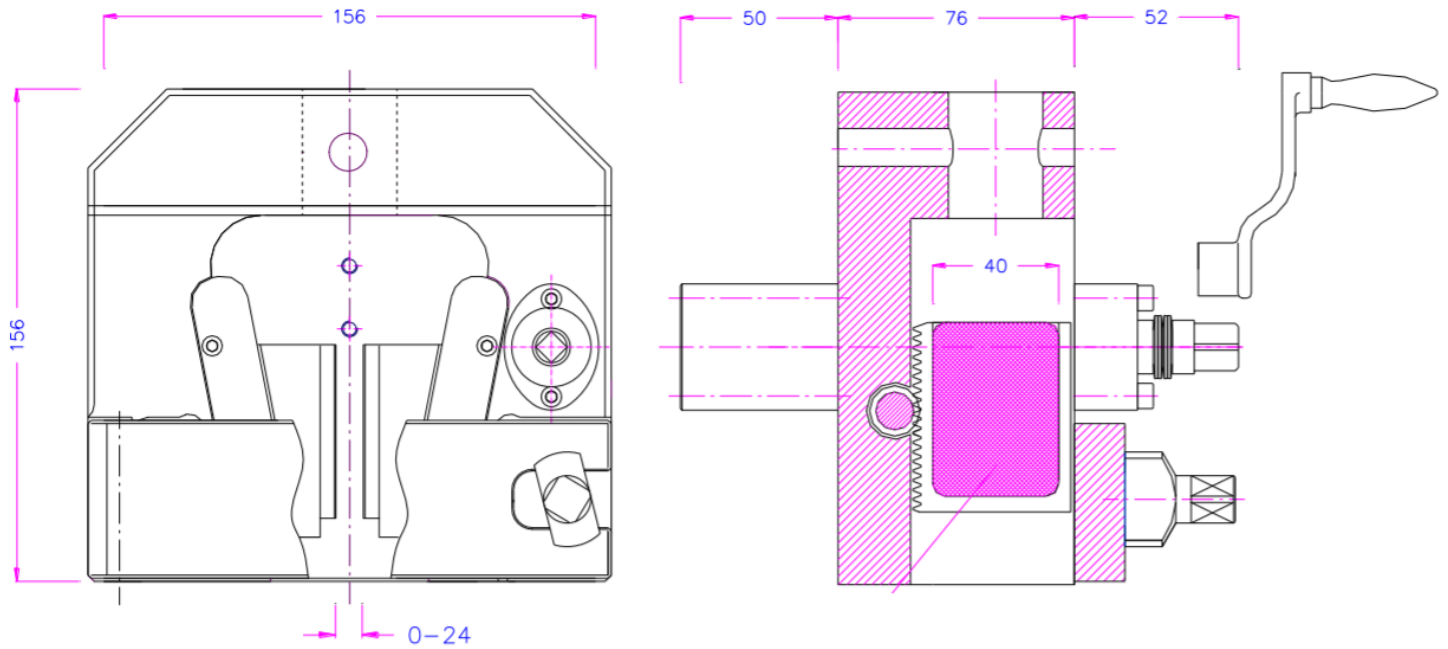
**Notes:** This wedge grip design features a crank which allows the user exert up to a 10kN lateral pre-grip onto the sample. The crank drives the spline gear, pushing the wedge jaws down into the wedge to tighten around the sample. This is our “strongest” wedge grip design before moving to pneumatic or hydraulic grip designs for higher strength metals and hardened steel.

[www.universalgripco.com](http://www.universalgripco.com)

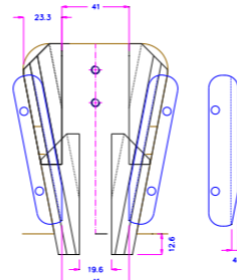
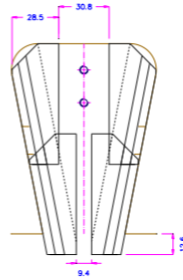
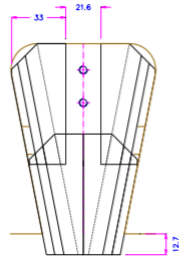
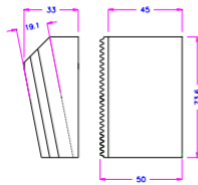
72 Loring Ave. St. 2 Salem, MA 01923

978-882-1480

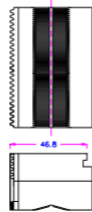
## Schematic (mm)



### Flats



### Rounds



0-20

10-30

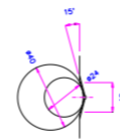
20-40



0-20



10-30



20-40