

## Vise Grips – 50 kN



The 50kN Vise Grips use a wrench or pneumatic impact wrench to tighten.

Tensile Rating: 50kN (11,000 lbs.)

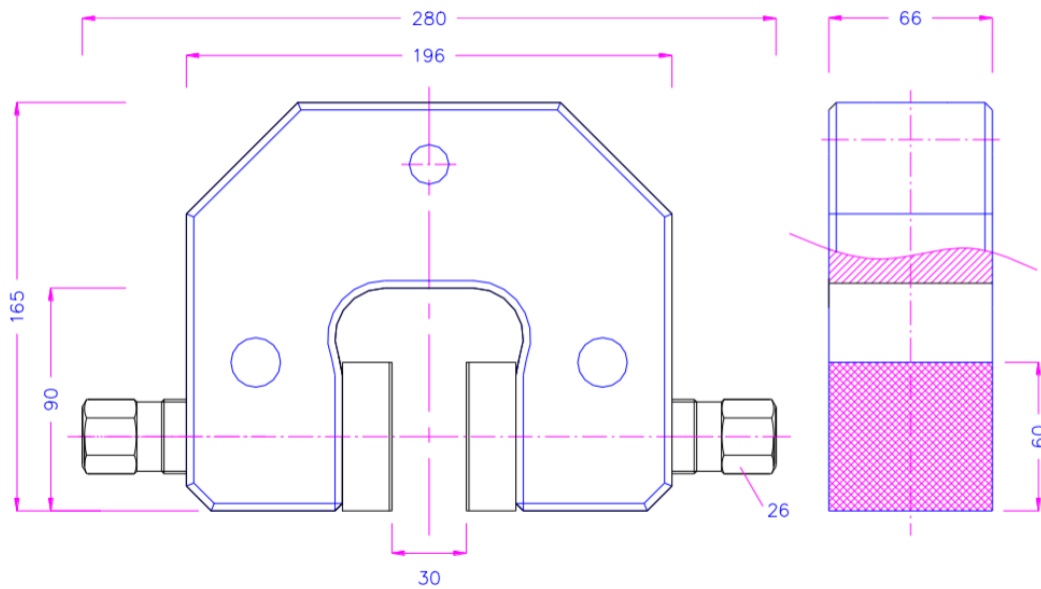
Sample Thickness: (Depends on Jaw Inserts – See Below)

Weight per grip: 12kg without Jaws (Steel)

Temperature Range: 0 to 180 Celsius depending on jaws, others available

Adapter/Coupling: female 1.25" with .5" locking pin

## Schematic (mm)



## Jaw Inserts

Surface	Clamping surface H x W	Opening	Weight per pair
Blank (smooth) jaws	60 x 66 mm	0 - 30 mm	1.2 kg
Pyramid jaws (serrated)	60 x 66 mm	0 - 30 mm	1.1 kg
V-jaws	60 x 66 mm	5 - 30 mm $\emptyset$	1.1 kg
Wave jaws	60 x 66 mm	0 - 30 mm	1.1 kg
Diamond jaws	60 x 66 mm	0 - 30 mm	1.1 kg
Rubber jaws	60 x 66 mm	0 - 28 mm	1.2 kg
Blank (smooth) jaws	70 x 210 mm	0 - 10 mm	6.6 kg
Pyramid jaws (serrated)	70 x 210 mm	0 - 10 mm	6.6 kg
Wave jaws	70 x 210 mm	0 - 10 mm	6.4 kg