



ASTM D638 Type II
Ribbon Steel Cutting Die



Product Description: The Ribbon Steel Cutting Die for ASTM D638 Type II provides an easy and efficient way to cut soft plastic samples up to 3mm in thickness. Its sharp profile ensures accurate shaping for tensile testing.

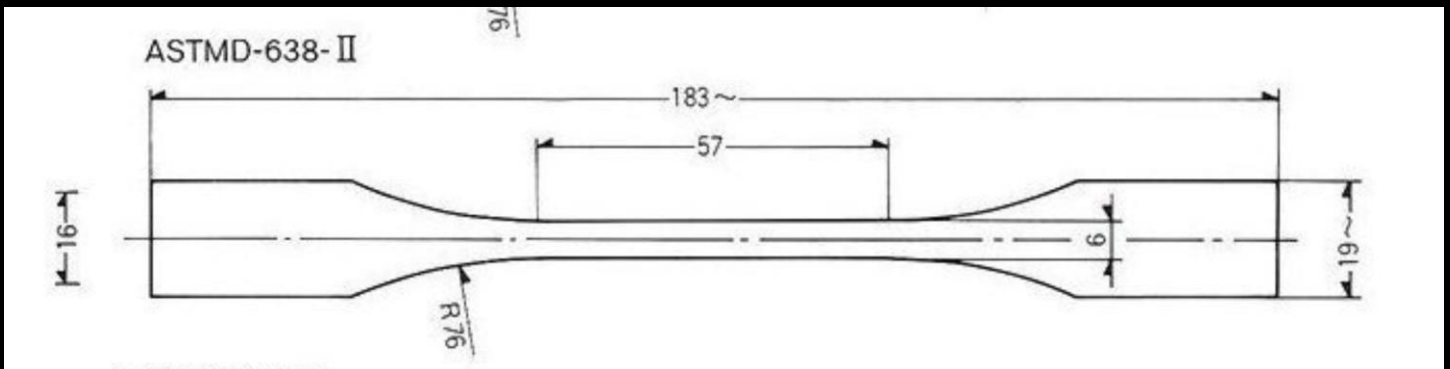
www.universalgripco.com

72 Loring Ave. St. 2 Salem, MA 01923

978-882-1480



Schematic



www.universalgripco.com

72 Loring Ave. St. 2 Salem, MA 01923

978-882-1480